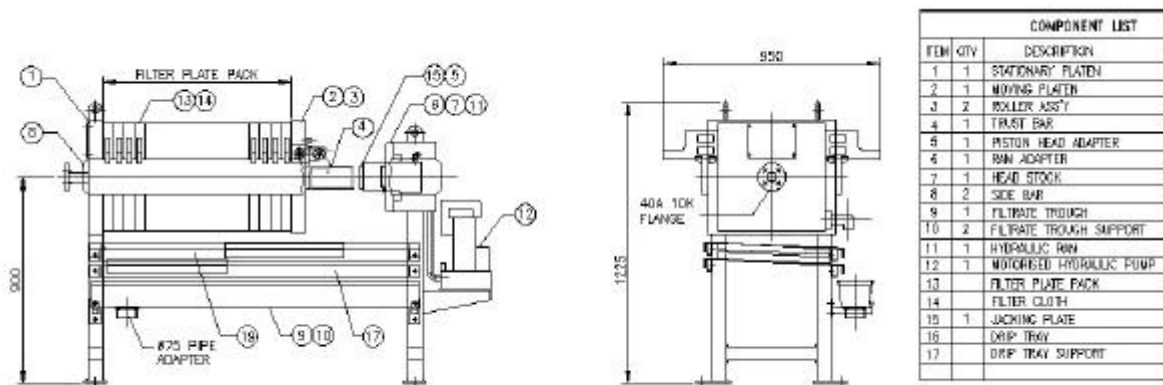




# AMSTON® Filter Presses – Semi Automatic SA Series 470 x 470mm Standard Specification

*AJM are the exclusive agents for AMSTON® Filter Presses for Australia & New Zealand*

*The AMSTON® Filter Press is a simple and effective sludge dewatering filter that maximizes sludge volume reduction and cake dryness. The process is a batch feed and the SA Series includes for a motorized hydraulic pump.*



## System components

The SA Series AMSTON® Filter Press is a semi automatic recessed chamber filter press. A single phase motorized hydraulic pump is used to close the filter pack. Dropping of the filter cake is a simple manual operation.

The AMSTON® Filter Press is supplied as a ready to install unit. The standard scope includes the frame and legs, filter plates, filter cloths, hydraulic power pack, filtrate tray and drip trays.

## Standard specification

Item	Standard specification	Option
<b>Fabricated components</b>		
Frame and Legs	Mild steel to ASTM A435-02(07), surface treatment including 2 undercoats coats of epoxy primer followed by 2 coats of polyurethane paint.	
Side Bars	As above but with 304 stainless steel profiles. The filter plates are supported on the side bars.	316 stainless steel
Filter Plates	Recessed chamber Polypropylene to DIN7129. Excellent chemical resistance. Centre feed, 32mm cake thickness. Open discharge per plate with uPVC filtrate pipe, 15 bar rating	Corner discharge with filtrate ports 25mm cake thickness
Filter Cloths	Barrel neck sown polypropylene – Standard weave 5 L/dm <sup>2</sup> .	15 L/dm <sup>2</sup> filter cloth weave
Filtrate Tray	UPVC	
Drip Tray	UPVC	
<b>Major items</b>		
Hydraulic Pump	Single phase hydraulic pump with 50/75 ton single acting ram.	

## Capacities

22 through to 853L chamber volume  
32mm filter cake thickness  
15 bar filter plates

## Electrical

The hydraulic pump motor is wired to a local stop/start station that is mounted on the frame. The hydraulic motor is 240V 50Hz.

## Sizes

Model	Volume (L)	Number of Plates	Dimensions (mm)	Weight (kg)
SA05-4H	22	5	1311 x 950 x 1225	640
SA10-4H	50	10	1588 x 950 x 1225	700
SA15-4H	78	15	1866 x 950 x 1225	750
SA20-4H	106	20	2143 x 950 x 1225	810

## Technical

The SA Series is a semi automatic filter press for dewatering sludge produced from industrial wastewater treatment plants. The cycle times and volume to be processed are dependant upon the sludge type, expected cake dryness, specific gravity and process. Please consult AJM for detailed information on sizing and cycle times.

## Services Required

Power Supply	Single Phase power
Compressed Air (optional Item)	Intermittent 20cfm @ 700kPa dried air
Protection	Unit should be located in a dry area out of weather.

## Options

- Feed pump; Air Diaphragm type
- Chemical Reaction Tanks
- Air Track Plate Shifter System
- Platform
- Polymer Dosing Systems

---

## AJM Contact details

Web Site            [www.ajmenviro.com.au](http://www.ajmenviro.com.au)  
Email technical    [tech@ajmenviro.com.au](mailto:tech@ajmenviro.com.au)  
Email sales        [sales@ajmenviro.com.au](mailto:sales@ajmenviro.com.au)

AJM Environmental Services  
4/398 The Boulevard  
Kirrawee NSW 2232  
Tel: 61 2 9542 2355  
Fax: 61 2 9542 2433

---

Disclaimer: This specification sheet has been created with the greatest care and attention however it is possible that some information is either incomplete or out of date. AJM are continuously updating and improving our products and services. Please contact our offices for more detailed or updated specifications as we cannot be held responsible for any errors resulting from the use of the information supplied herein.