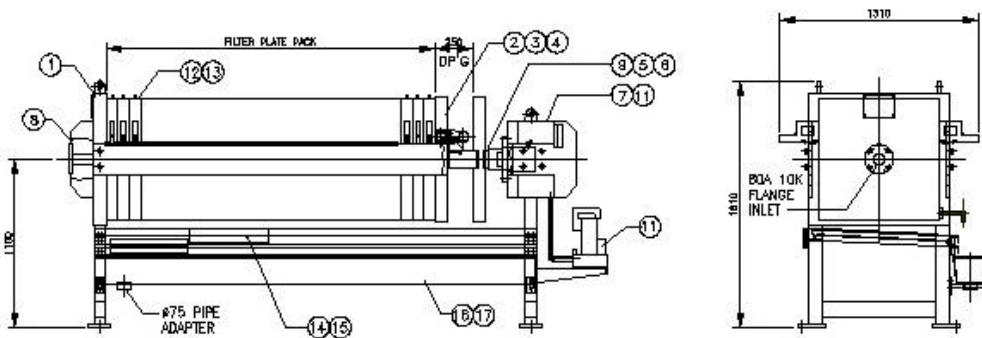




AMSTON® Filter Presses – Semi Automatic SA Series 800 x 800mm Standard Specification

AJM are the exclusive agents for AMSTON® Filter Presses for Australia & New Zealand

The AMSTON® Filter Press is a simple and effective sludge dewatering filter that maximizes sludge volume reduction and cake dryness. The process is a batch feed and the SA Series includes for a motorized hydraulic pump.



MATERIAL LIST		
ITEM	QTY	DESCRIPTION
1	1	STATIONARY PLATEN
2	1	MOVING PLATEN
3	2	ROLLER ASSEMBLY
4	1	THRUST BAR
5	1	PISTON HEAD ADAPTER
6	1	RAM ADAPTER
7	1	HEAD STOCK
8	2	SIDE BAR
9	1	JACKING PLATE
10	1	HYDRAULIC RAM
11	1	MOTORISED HYDRAULIC PUMP
12		FILTER PLATE PACK
13		FILTER CLOTH
14		DRIP TRAY (PVC)
15	4	DRIP TRAY SUPPORT
16	1	FILTRATE TROUGH
17	3	FILTRATE TROUGH SUPPORT

System components

The SA Series AMSTON® Filter Press is a semi automatic recessed chamber filter press. A single phase motorized hydraulic pump is used to close the filter pack. Dropping of the filter cake is a simple manual operation.

The AMSTON® Filter Press is supplied as a ready to install unit. The standard scope includes the frame and legs, filter plates, filter cloths, hydraulic power pack, filtrate tray and drip trays.

Standard specification

Item	Standard specification	Option
Fabricated components		
Frame and Legs	Mild steel to ASTM A435-02(07), surface treatment including 2 undercoats coats of epoxy primer followed by 2 coats of polyurethane paint.	
Side Bars	As above but with 304 stainless steel profiles. The filter plates are supported on the side bars.	316 stainless steel
Filter Plates	Recessed chamber Polypropylene to DIN7129. Excellent chemical resistance. Centre feed, 32mm cake thickness. Open discharge per plate with uPVC filtrate pipe, 7 bar rating	Corner discharge with filtrate ports 25mm cake thickness 15 bar rating
Filter Cloths	Barrel neck sown polypropylene – Standard weave 5 L/dm ² /min.	15 L/dm ² /min filter cloth weave
Filtrate Tray	UPVC	
Drip Tray	UPVC	
Major items		
Hydraulic Pump	Single phase hydraulic pump with 50/75 ton single acting ram.	

Capacities

331 through to 853L chamber volume

32mm filter cake thickness

7 bar filter plates

Electrical

The hydraulic pump motor is wired to a local stop/start station that is mounted on the frame. The hydraulic motor is 240V 50Hz.

Sizes

Model	Volume (L)	Number of Plates	Dimensions (mm)	Weight (kg)
SA20-8L	331	20	2616 x 1310 x 1610	2210
SA25-8L	418	25	2934 x 1310 x 1610	2350
SA30-8L	505	30	3251 x 1310 x 1610	2500
SA35-8L	592	35	3568 x 1310 x 1610	2650
SA40-8L	679	40	3886 x 1310 x 1610	2800
SA45-8L	766	45	4203 x 1310 x 1610	2950
SA50-8L	853	50	4521 x 1310 x 1610	3050

Technical

The SA Series is a semi automatic filter press for dewatering sludge produced from industrial wastewater treatment plants. The cycle times and volume to be processed are dependant upon the sludge type, expected cake dryness, specific gravity and process. Please consult AJM for detailed information on sizing and cycle times.

Services Required

Power Supply	Single Phase power
Compressed Air (optional Item)	Intermittent 20cfm @ 700kPa dried air
Protection	Unit should be located in a dry area out of weather.

Options

- Feed pump; Air Diaphragm type
- Chemical Reaction Tanks
- Air Track Plate Shifter System
- Platform
- Polymer Dosing Systems

AJM Contact details

Web Site www.ajmenviro.com.au
Email technical tech@ajmenviro.com.au
Email sales sales@ajmenviro.com.au

AJM Environmental Services
4/398 The Boulevard
Kirrawee NSW 2232
Tel: 61 2 9542 2355
Fax: 61 2 9542 2433

Disclaimer: This specification sheet has been created with the greatest care and attention however it is possible that some information is either incomplete or out of date. AJM are continuously updating and improving our products and services. Please contact our offices for more detailed or updated specifications as we cannot be held responsible for any errors resulting from the use of the information supplied herein.